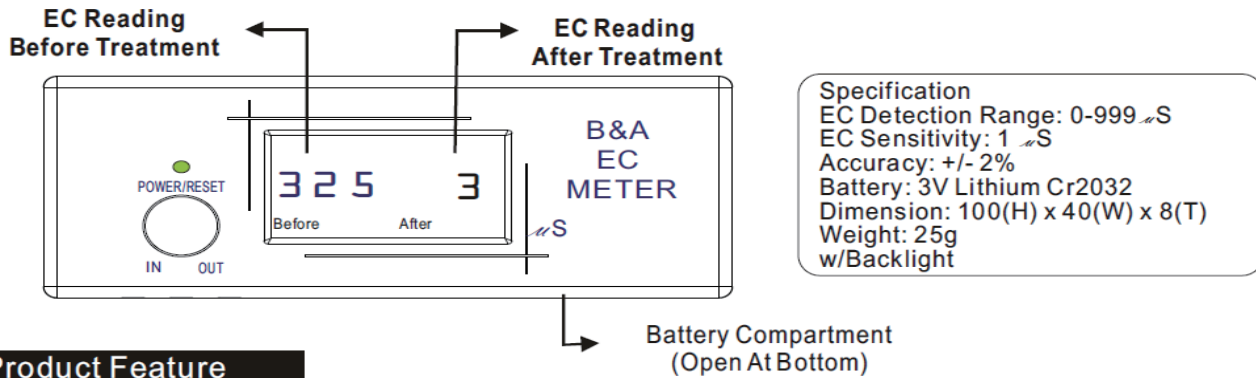


B&A-EC Instruction Manual



Product Feature

1. Measures and displays EC values before and after water flows through treatment system.
2. Real time calculation of removal rate.
3. Removal rate indicator:
 - Removal Rate > 80% → Green Flash
 - Removal Rate < 80% → Red Flash
4. Large dual window 3-digit LCD display.
5. Generic design fits all systems.
6. Selectable monitoring mode: Continuous or button control (battery saving)

Operation Procedure

● Measuring EC

1. Press button to measure the EC values of both inlet and outlet water. Both EC readings will be displayed on the "Before" and "After" windows on LCD.
2. If the removal rate maintains above 80%, the removal rate indicator flashes green light. If the removal rate drops below 80%, the removal rate indicator flashes red light, indicating the filter(s)/membrane(s) may be damaged. When the removal rate indicator flashes red, change filter(s)/membrane(s).
3. To repeat measurement, press button again.
4. The unit automatically shuts off after approximately 30 seconds of power-on.

● Installation

1. Select a location in the water system which is convenient for reading the LCD and provides for easy installation.
2. Use the included mounting clips or velcro to fix the unit at the selected location.
3. Select two points in the water system for installing the inlet/outlet EC probes.
4. Cut the tube(s), with a tubing cutter or a pair of scissors, at the selected points.
5. After push the ends of the tubes into the quick joint, and make sure they are firmly connected. .
6. Once above steps are completed, press button to check if the LCD lights up. If the LCD does not light up, check if above connections or batteries are good, and repeat above steps.

● Change Battery

1. Remove the battery cover.
2. Install one new 3V Cr2032 batteries, and make sure the batteries are properly placed with the positive "+" side up.
3. Close the battery compartment. Then press the button to check if the LCD lights up. If the LCD does not light up, check if the batteries are good or are properly placed, and repeat above steps.
4. Change batteries when the LCD becomes dim.